





Fastening Clips & Installation Methods

Clip - Tops

STANDARD M	3D	PLAN	ELEVATION	FASTENING OPTIONS
Hole Diameter: 8mm Material type: 316 st/st Threaded hole: N/A				1, 3, 4, 6
MINI MESH M	3D	PLAN	ELEVATION	FASTENING OPTIONS
Hole Diameter: 6mm (8mm for GTX-502525M1) Material type: 316 st/st Threaded hole: N/A				5, 7
MINI MESH M (SLOTTED)	3D	PLAN	ELEVATION	FASTENING OPTIONS
Hole Diameter: 6mm Material type: 316 st/st Threaded hole: N/A				5, 7
C	3D	PLAN	ELEVATION	FASTENING OPTIONS
Hole Diameter: 6mm Material type: 316 st/st Threaded hole: Yes				2
L	3D	PLAN	ELEVATION	FASTENING OPTIONS
Hole Diameter: 6.5mm Material type: 316 st/st Threaded hole: N/A				2
D	3D	PLAN	ELEVATION	FASTENING OPTIONS
Hole Diameter: 8.5mm, 7mm Material type: 316 st/st Threaded hole: N/A				1, 3, 4, 6
E	3D	PLAN	ELEVATION	FASTENING OPTIONS
Hole Diameter: 8mm Material type: 316 st/st Threaded hole: N/A				1, 3, 4, 6
W	3D	PLAN	ELEVATION	FASTENING OPTIONS
Hole Diameter: 8mm Material type: 316 st/st Threaded hole: N/A				1, 3, 4, 6
S	3D	PLAN	ELEVATION	FASTENING OPTIONS
Hole Diameter: 8mm Material type: 316 st/st Threaded hole: N/A				5, 7
O	3D	PLAN	ELEVATION	FASTENING OPTIONS
Hole Diameter: 8mm Material type: 316 st/st Threaded hole: N/A				10,11

Not drawn to scale

Fastening Clips & Installation Methods

Clamp Underside

J - UNIVERSAL	3D	PLAN	ELEVATION	SIDE ELEVATION	FASTENING OPTIONS
Hole Diameter: N/A Material type: 316 st/st Threaded hole: N/A					1, 3, 4
J - MINI-MESH	3D	PLAN	ELEVATION	SIDE ELEVATION	FASTENING OPTIONS
Hole Diameter: N/A Material type: 316 st/st Threaded hole: N/A					5
H	3D	PLAN	ELEVATION	FASTENING OPTIONS	
Hole Diameter: 8mm Material type: st/st Threaded hole: Yes				1, 3, 4, 11	
G	3D	PLAN	ELEVATION	FASTENING OPTIONS	
Hole Diameter: 6mm, 8mm Material type: st/st Threaded hole: Yes				2	
U	3D	PLAN	ELEVATION	FASTENING OPTIONS	
Hole Diameter: 8mm Material type: 316 st/st Threaded hole: Yes				1, 3, 4	
V	3D	PLAN	ELEVATION	FASTENING OPTIONS	
Hole Diameter: 8mm Material type: 316 st/st Threaded hole: N/A				1, 3, 4	
T	3D	PLAN	ELEVATION	FASTENING OPTIONS	
Hole Diameter: N/A Material type: 316 st/st Threaded hole: N/A				1, 3, 4, 9	

Fastening Options

1	2	3	4	5	
FAS-S-HX-M8-40-316 M8 x 40mm Hex Head Set Screw, 316 Grade Stainless Steel, c/w nylon nut and washer.	FAS-S-HX-M6-40-316 M6 x 40mm Hex Head Set Screw, 316 Grade Stainless Steel, c/w nylon nut and washer.	FAS-S-SH-M8-40-316 M8 x 40mm Socket Head Cap Screw, 316 Grade Stainless Steel, c/w nylon nut and washer.	FAS-S-BS-M8-40-316 M8 x 40mm Button Socket Head Cap Screw, 316 Grade Stainless Steel, c/w nylon nut and washer.	FAS-S-SH-M5-50-316 M5 x 50mm Socket Head Cap Screw, 316 Grade Stainless Steel, c/w nylon nut and washer.	
6	7	8	9	10	11
FAS-S-HX-G14-50-316 G14 x 50mm Hex Head Type 17 Self Drilling Screw, 316 Grade Stainless Steel.	FAS-SD-TX-G12-50-316 G12 x 50mm Torx Head Type 17 Self Drilling Screw, 316 Grade Stainless Steel.	FAS-SD-WH-G14-70-316 G14 x 70mm Washer Face Hex Head Type 17 Self Drilling Screw, 316 Grade Stainless Steel.	FAS-S-HX-M8-50-316 M8 x 50mm Hex Head Set Screw, 316 Grade Stainless Steel.	FAS-SD-CT-G14-50-316 G14 x 50mm Countersunk Bugle Type 17 Self Drilling Screw, 316 Grade Stainless Steel.	FAS-S-CT-M8-50-316 M8 x 50mm Countersunk Socket Head Cap Screw, 316 Grade Stainless Steel, c/w nylon nut and washer.

Not drawn to scale

Fastening Profiles Ordering Information:

Please refer to Appendix 6a: GratEX[®] Fasteners Ordering Information.

Fastening Clip Frequency Recommendation:

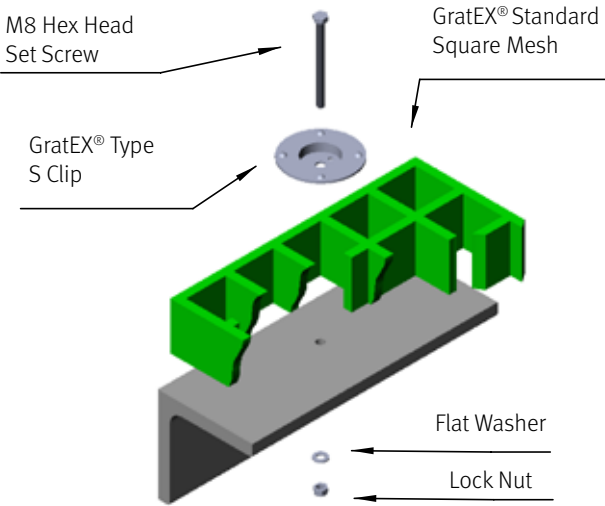
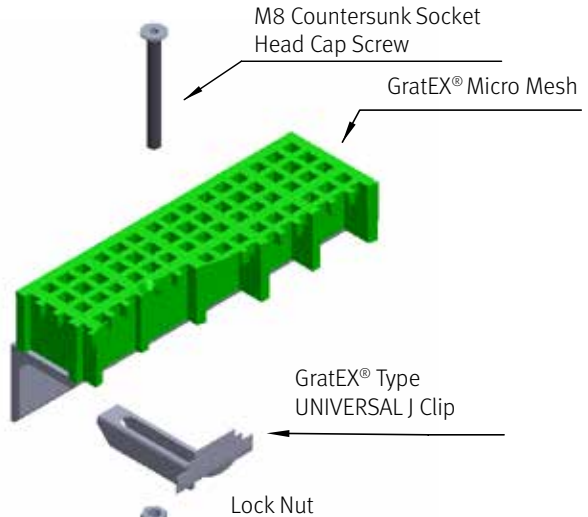


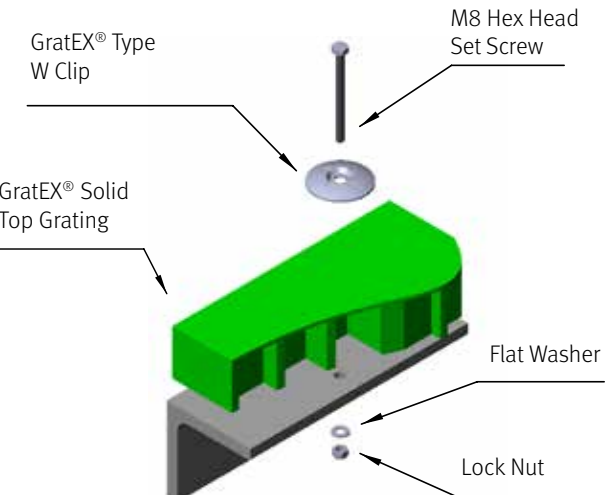
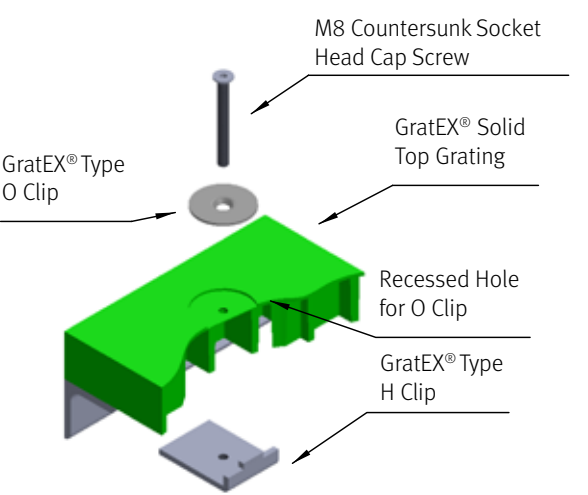
Treadwell recommends that at least 4 GratEX[®] clip sets be installed per panel, regardless of size, or approximately 4 per m² for areas exceeding 1 m². If you have a unique requirement, chances are we have encountered something similar before – contact Treadwell on 1800 246 800.

Fixing Assembly Combinations

<p>Standard M Clip Assembly</p> <p>M8 Hex Head Set Screw</p> <p>GratEX® Type M Clip</p> <p>GratEX® Standard Square Mesh</p> <p>Flat Washer</p> <p>Lock Nut</p>	<p>L Clip Assembly</p> <p>M6 Hex Head Set Screw</p> <p>GratEX® Type L Clip</p> <p>GratEX® Standard Square Mesh</p> <p>Flat Washer</p> <p>Lock Nut</p>
<p>Mini M Clip Assembly</p> <p>M5 Socket Head Cap Screw</p> <p>GratEX® Type Mini M Clip</p> <p>GratEX® Mini Mesh</p> <p>Flat Washer</p> <p>Lock Nut</p>	<p>D Clip Assembly</p> <p>M6 or M8 Hex Head Set Screw</p> <p>GratEX® Type D Clip</p> <p>GratEX® Standard Square Mesh</p> <p>Flat Washer</p> <p>Lock Nut</p>
<p>Standard C Clip Assembly</p> <p>M6 Hex Head Set Screw</p> <p>GratEX® Type C Clip</p> <p>GratEX® Standard Square Mesh</p>	<p>E Clip Assembly</p> <p>M8 Hex Head Set Screw</p> <p>GratEX® Type E Clip</p> <p>GratEX® Standard Square Mesh</p> <p>Flat Washer</p> <p>Lock Nut</p>

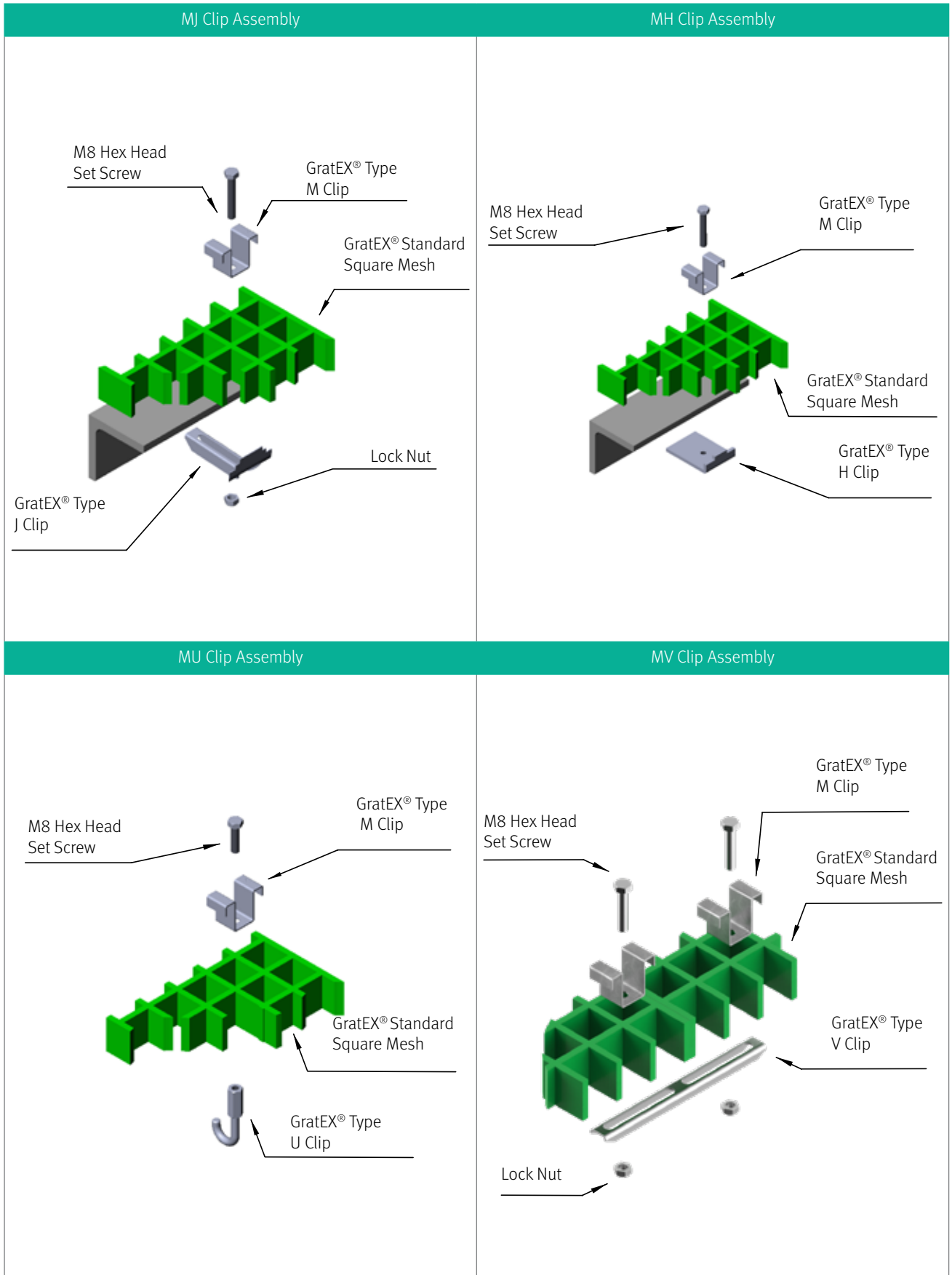
Not drawn to scale

Fixing Assembly Combinations

S Clip Assembly	Micro Mesh Assembly
 <p>M8 Hex Head Set Screw</p> <p>GratEX[®] Standard Square Mesh</p> <p>GratEX[®] Type S Clip</p> <p>Flat Washer</p> <p>Lock Nut</p>	 <p>M8 Countersunk Socket Head Cap Screw</p> <p>GratEX[®] Micro Mesh</p> <p>GratEX[®] Type UNIVERSAL J Clip</p> <p>Lock Nut</p>
S Clip Installation Tool	Solid Surface Recess Tool
 <p>Treadwell provides 38mm and 50mm S clips according to the needs of clients. To facilitate the sizes, our quality installation tools come in 32mm and 44mm to suit the size of each aperture.</p>	
W Clip Assembly	OH Clip Assembly
 <p>GratEX[®] Type W Clip</p> <p>M8 Hex Head Set Screw</p> <p>GratEX[®] Solid Top Grating</p> <p>Flat Washer</p> <p>Lock Nut</p>	 <p>M8 Countersunk Socket Head Cap Screw</p> <p>GratEX[®] Solid Top Grating</p> <p>GratEX[®] Type O Clip</p> <p>Recessed Hole for O Clip</p> <p>GratEX[®] Type H Clip</p>

Not drawn to scale

Fixing Assembly Combinations

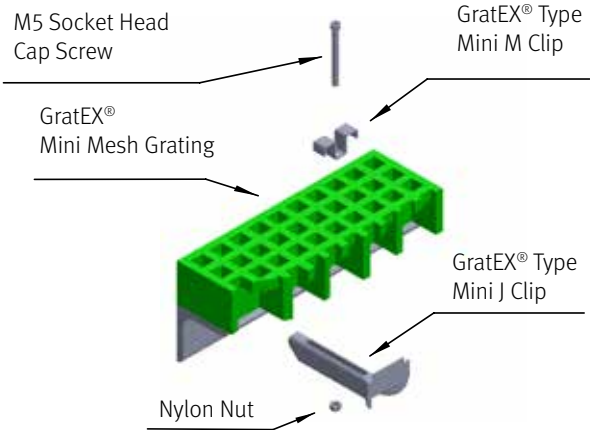
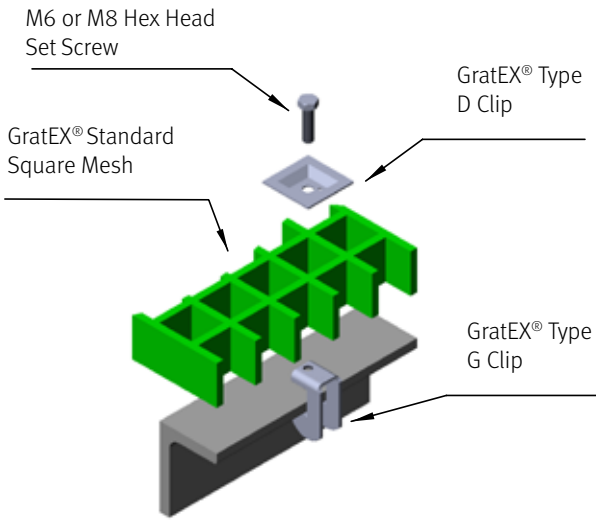


Not drawn to scale

Fixing Assembly Combinations

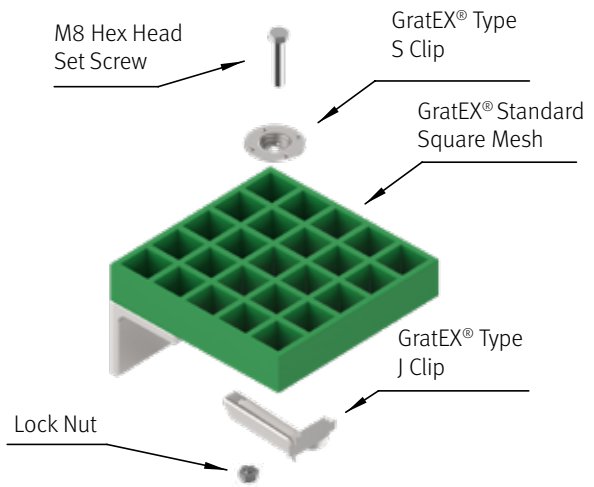
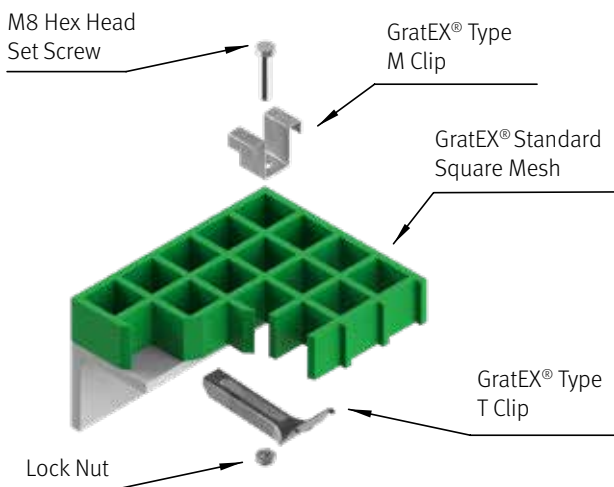
DG Clip Assembly

MJ Mini Mesh Assembly



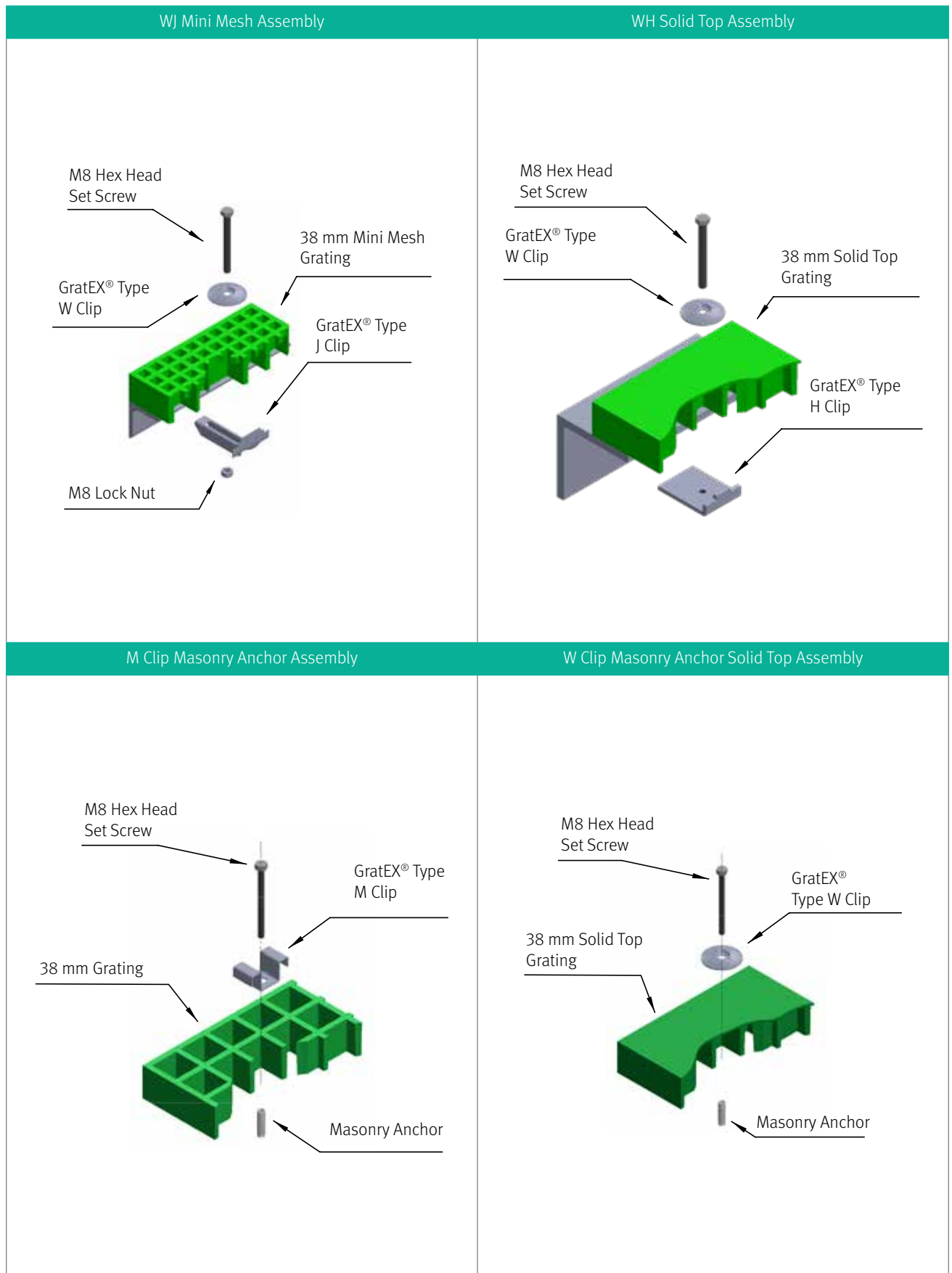
MT Clip Assembly

SJ Clip Assembly



Not drawn to scale

Fixing Assembly Combinations



Not drawn to scale

Fastening Clips & Installation Methods

Clip - Tops

MoultrEX [®] M	3D	PLAN	ELEVATION	FASTENING OPTIONS
Hole Diameter: 6mm Material type: 316 st/st Threaded hole: N/A				2

Clamp Underside

Mini J Universal	G	U	V
Hole Diameter: N/A Material type: 316 st/st Threaded hole: N/A	Hole Diameter: 6mm Material type: st/st Threaded hole: Yes	Hole Diameter: 8mm Material type: 316 st/st Threaded hole: Yes	Hole Diameter: 8mm Material type: 316 st/st Threaded hole: N/A

Fixing Assembly Combinations












MJ Clip Assembly	MG Clip Assembly
<p>M5 Hex Head Set Screw</p> <p>MoultrEX[®] Type M Clip</p> <p>MoultrEX[®] Type Mini J Clip</p> <p>Lock Nut</p>	<p>M5 Hex Head Set Screw</p> <p>MoultrEX[®] Type M Clip</p> <p>MoultrEX[®] Type G Clip</p>
MU Clip Assembly	MV Clip Assembly
<p>M5 Hex Head Set Screw</p> <p>MoultrEX[®] Type M Clip</p> <p>GratEX[®] Type U Clip</p>	<p>M5 Socket Head Cap Screw</p> <p>MoultrEX[®] Type M Clip</p> <p>MoultrEX[®] Type MINI V Clip</p> <p>Lock Nut</p>

Please refer to Appendix 6b: MoultrEX[®] Fasteners Ordering Information (Page 96).

Not drawn to scale

Fastening Clips & Installation Methods

Fastening Options

Item	Profiles	Hole Diameter	Material Type
FAS-S-HX-M8-40-316		M8 x 40mm	Hex Head Set Screw, 316 Grade Stainless Steel, c/w nylon nut and washer.
FAS-S-HX-M6-40-316		M6 x 40mm	Hex Head Set Screw, 316 Grade Stainless Steel, c/w nylon nut and washer.
FAS-S-SH-M8-40-316		M8 x 40mm	Socket Head Cap Screw, 316 Grade Stainless Steel, c/w nylon nut and washer.
FAS-S-BS-M8-40-316		M8 x 40mm	Button Socket Head Cap Screw, 316 Grade Stainless Steel, c/w nylon nut and washer.
FAS-S-SH-M5-50-316		M5 x 50mm	Socket Head Cap Screw, 316 Grade Stainless Steel, c/w nylon nut and washer.
FAS-SD-HX-G14-50-316		G14 x 50mm	Hex Head Type 17 Self Drilling Screw, 316 Grade Stainless Steel.
FAS-SD-TX-G12-50-316		G12 x 50mm	Torx Head Type 17 Self Drilling Screw, 316 Grade Stainless Steel.
FAS-SD-WH-G14-70-316		G14 x 70mm	Washer Face Hex Head Type 17 Self Drilling Screw, 316 Grade Stainless Steel.
FAS-S-HX-M8-50-316		M8 x 50mm	Hex Head Set Screw, 316 Grade Stainless Steel.
FAS-SD-CT-G14-50-316		G14 x 50mm	Countersunk Bugle Type 17 Self Drilling Screw, 316 Grade Stainless Steel.
FAS-S-CT-M8-50-316		M8 x 50mm	Countersunk Socket Head Cap Screw, 316 Grade Stainless Steel, c/w nylon nut and washer

Not drawn to scale