

SureLine® MD FRP Odour Control Cover

SureLine® MD is an immensely versatile profile which combines lightweight and inherent strength to provide a durable product with a variety of surface textures and a customisable range of colours to suit the specifics of your application. SureLine® MD is designed to bear loads to enable operators to safely reach covered areas as well as a non-trafficable odour control cover system.

MD or Medium Duty constructions make this cover a flexible intermediate alternative to meet the most demanding of specifications.

SureLine® MD outperforms with an impressive strength to weight ratio to produce a composite flooring or cover structure that is strong, durable, corrosion resistant and boasts low maintenance on an anti-slip surface.



Applications

Water Treatment Plants

Substation

Road/River Bridges

Offshore Platforms

Industrial Plants

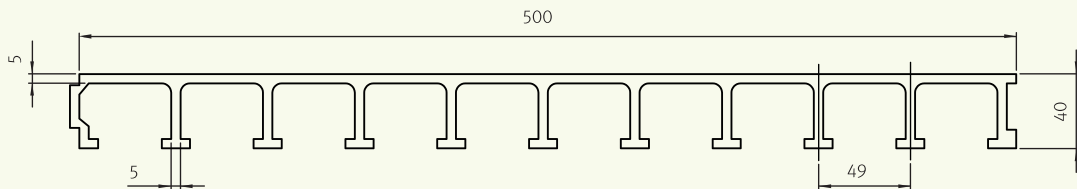
Schools & Hospitals

Warehouse & Factories

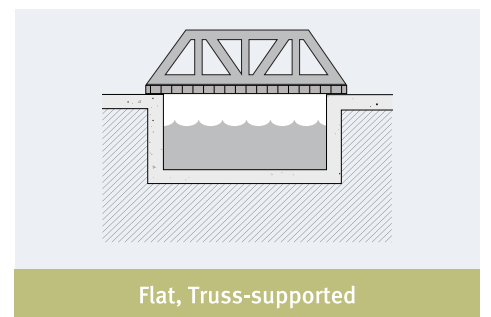
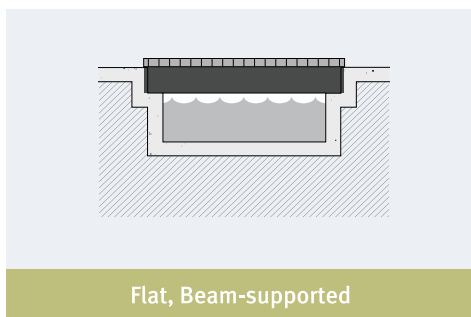
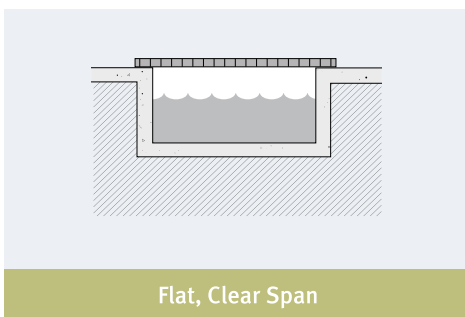
Petrol Chemical Plants



Typical SureLine® MD

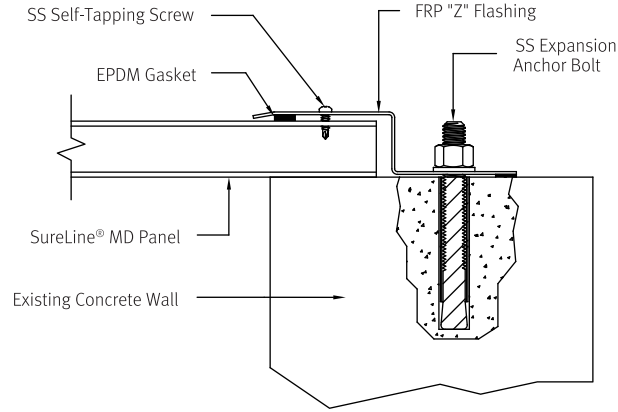


Typical Configurations



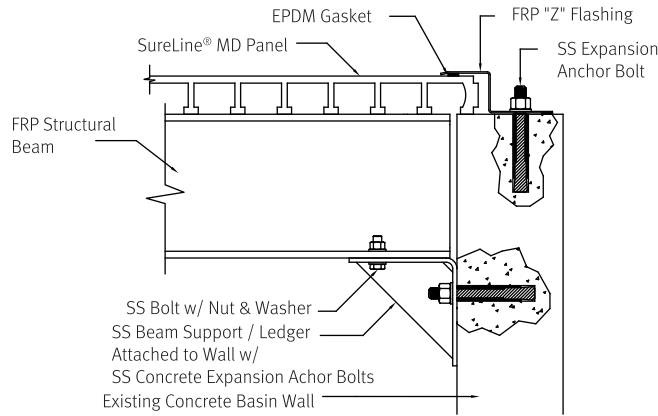
Typical Installation Details

Concrete Wall



CLEAR SPAN CONNECTION

Beam Supported Connection



BEAM SUPPORTED CONNECTION

Typical Installation Layout

