

## EXduro™ Cable Ladders

For environments where corrosive elements play a crucial part in a material, Treadwell has developed its FRP cable ladders as a strong support solution as the alternative to metal cable ladders. Being lightweight, it allows for easier installation or onsite fabrication as well as giving the cable ladder a high strength to weight ratio.

EXduro™ fibreglass cable ladders has several other benefits that may be useful. It is both a UV resistant and fire retardant system. Transparent to RF frequencies and electrically non-conductive are other positives it can bring to any design.

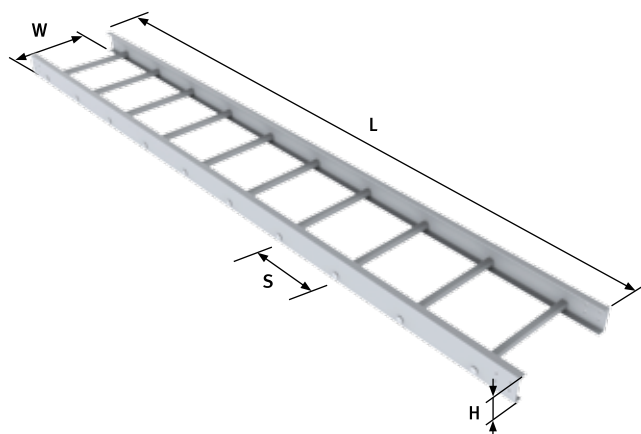
EXduro™ fibreglass cable ladders are also a cost competitive, performance proven alternative to metal systems for that corrosive/chemical environment to run your electrical cable and instrumentation pipe work. With little or no ongoing maintenance, Treadwell's system is supplied with both FRP and stainless steel fasteners to suit your application.



### F-EXD-CL-C(H)(W)-(R)(S)-(RS)(C)-(L)

Side Rail Height (H)	Width (W)	Rung Type (R)	Rung Spacing (S)	Resin (RS)	Colour (C)	Length (L)
50mm (050)	150mm (150)	Standard Rung (S)	150mm (150)	Standard Polyester (SI)	Light Grey (LG)	3m (1)
75mm (075)	300mm (300)	Marine Rung (M)	250mm (250)	Standard Vinylester (SV)	Custom Colour (CU)	6m (2)
100mm (100)	450mm (450)		300mm (300)	Conductive Polyester (CI)		
150mm (150)	600mm (600)		450mm (450)	Conductive Vinylester (CV)		
200mm (200)	750mm (750)		Halogen free Polyester (HI)	Halogen free Vinylester (HV)		
	900mm (900)		Halogen free Low Smoke Plus (HF)			

### C Rail Straight Section



Please refer to EXduro™ product guide for more information.

### Cable Ladder Fittings




Treadwell's range of pre-fabricated fittings for EXduro™ fibreglass cable ladders are readily available when you need to change the ladders' direction or work around a site, as well as splices to join multiple lengths.

All sizes of cable ladder are offered with a full range of fittings that allow you to bend, tee, cross, rise, or reduce the laying widths as required. This gives the user flexibility and ease to design and create a cable ladder system to support cables onsite anytime.

90° Horizontal Bend	90° Vertical Inward Bend	90° Vertical Outward Bend	30°/45°/60° Horizontal Bend
<b>Code</b>	<b>Code</b>	<b>Code</b>	<b>Code</b>
F-EXD-CLF-HB90-C(H)(W)(R)-(RS)(C)	F-EXD-CLF-VI90-C(H)(W)(R)-(RS)(C)	F-EXD-CLF-VO90-C(H)(W)(R)-(RS)(C)	F-EXD-CLF-HB(φ)-C(H)(W)000-(RS)(C)
			
30°/45°/60° Vertical Inward Bend	30°/45°/60° Vertical Outward Bend	Horizontal Tee	Horizontal Cross
<b>Code</b>	<b>Code</b>	<b>Code</b>	<b>Code</b>
FF-EXD-CLF-VI(φ)-C(H)(W)000-(RS)(C)	F-EXD-CLF-VO(φ)-C(H)(W)000-(RS)(C)	F-EXD-CLF-HT90-C(H)(W)(R)-(RS)(C)	F-EXD-CLF-HX90-C(H)(W)(R)-(RS)(C)
			

### Cable Ladder Reducers

EXduro™ cable ladder reducers are available in widths of 150mm, 300mm, 450mm, 600mm, 750mm and 900mm with alternative widths available to meet market requirements. Reducers are manufactured in various depths, each with the same footprint to aid setting out when final loadings are not yet available.

Straight Reducer	Right or Left Hand Reducer	
<b>Code</b>	<b>Code</b>	
F-EXD-CLF-SC(H)(W1)(W2)-(RS)(C)	F-EXD-CLF-RC(H)(W1)(W2)-(RS)(C)	F-EXD-CLF-LC(H)(W1)(W2)-(RS)(C)
		

### Cable Ladder Splice Plates

Our splice plates are available in both horizontal and vertical degree sections. We also offer the accompanying accessories separately. We construct both flat and peaked covers. These plates are non-conductive and do not react on electric and magnetic fields.

Please refer to EXduro™ product guide for more information.