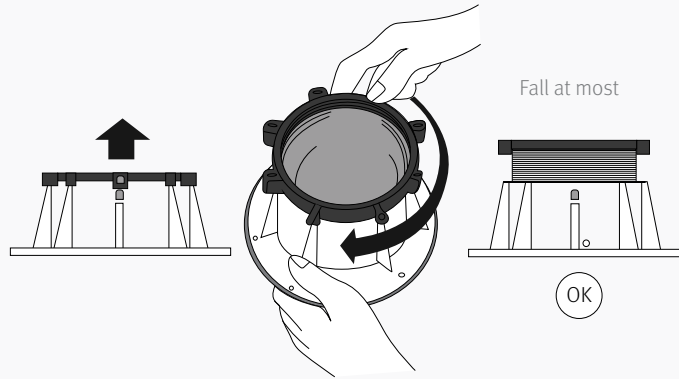
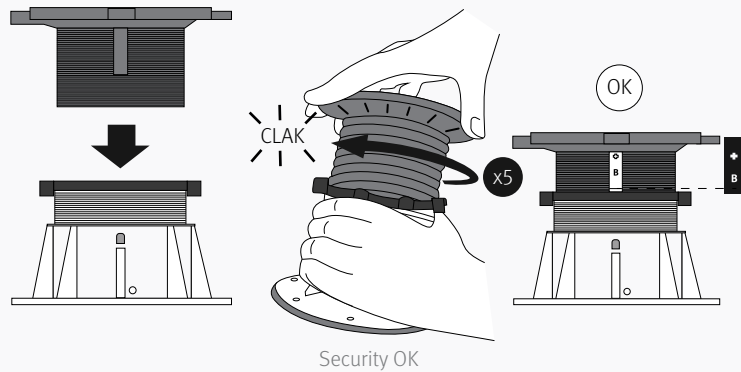


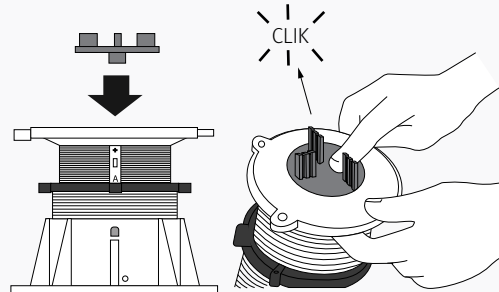
1 Unscrew height adjustment ring on base unit



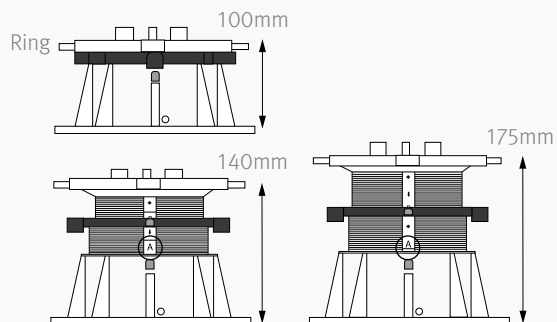
2 Screw the top into base unit



3 Clip spacer tabs



4 Adjustment from 100 to 175mm by turning the clamp ring



5 Block at the height wished with 4 keys

